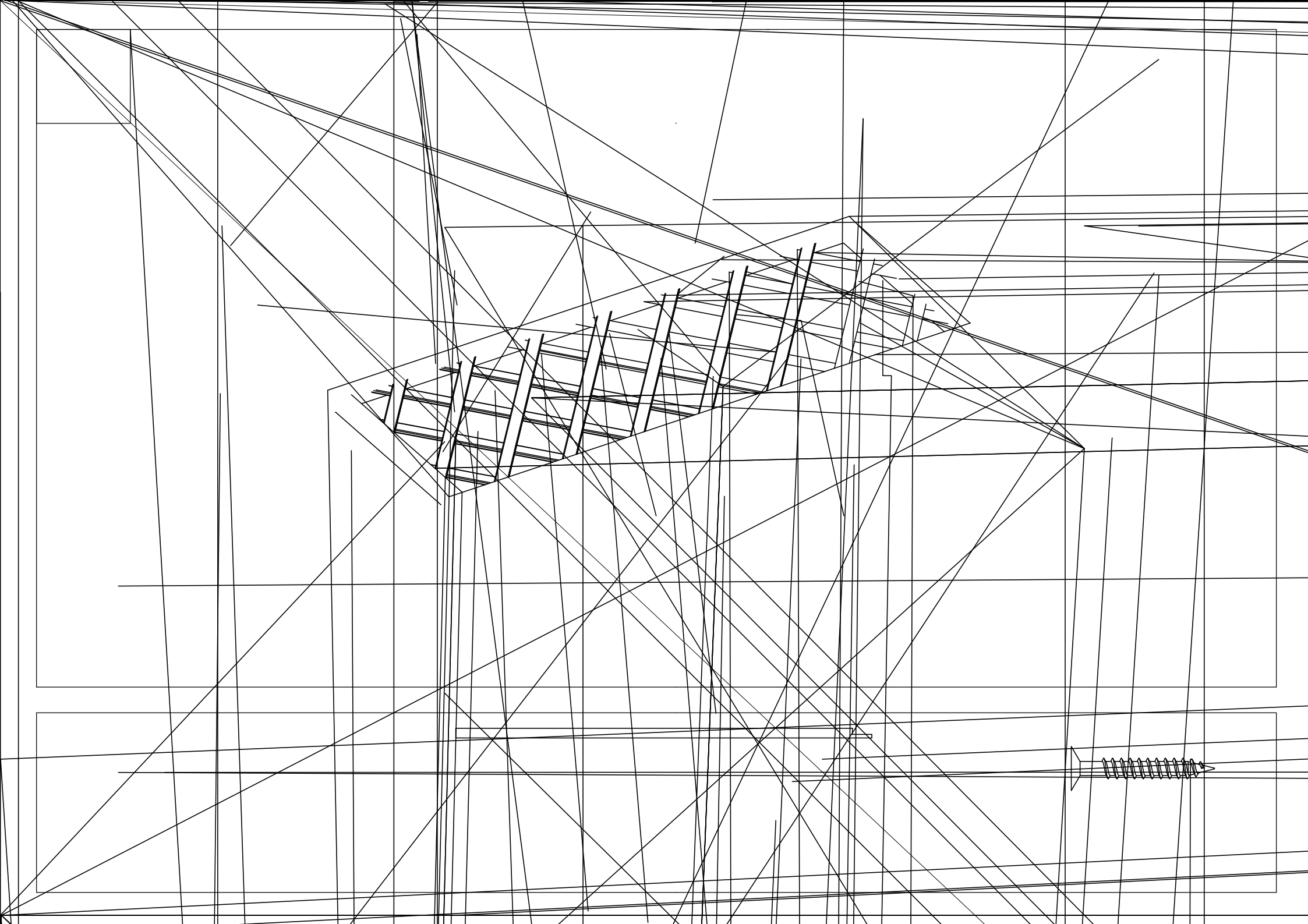
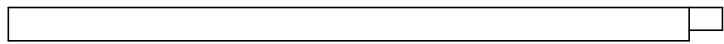
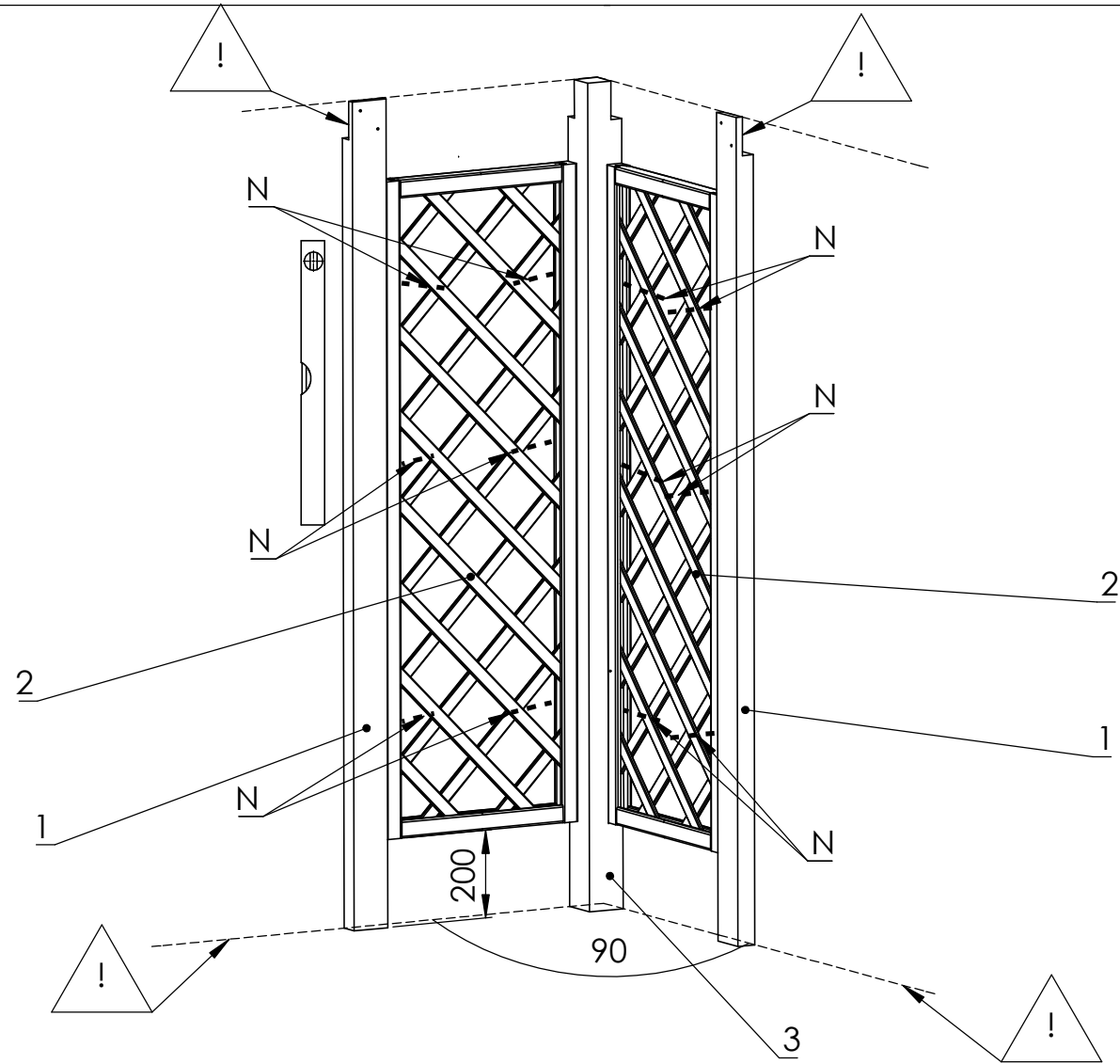


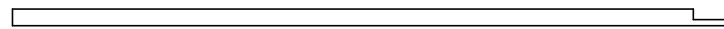
N	4x50	122
P	4x60	24
V	4x70	8
X	5x90	2
S	4x40	52



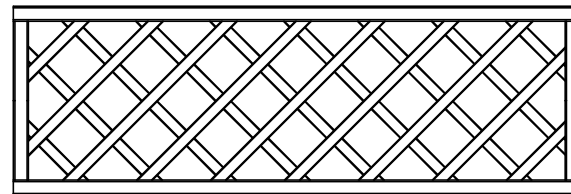
2



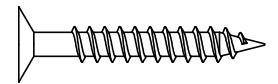
3 x1



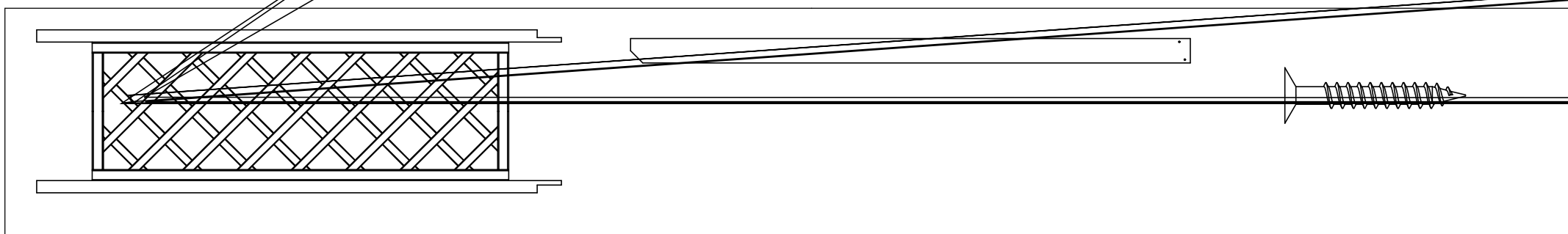
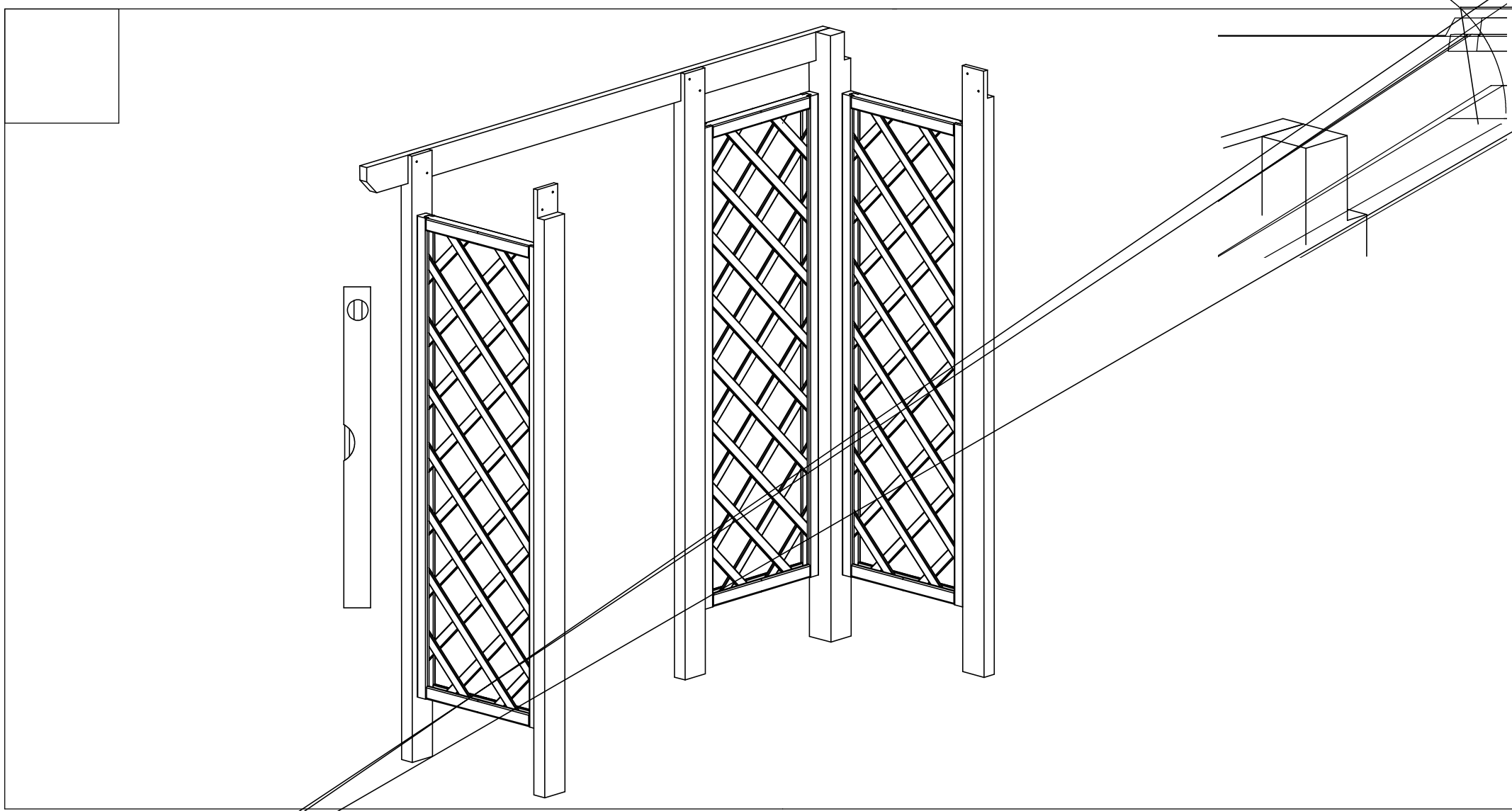
1 x2

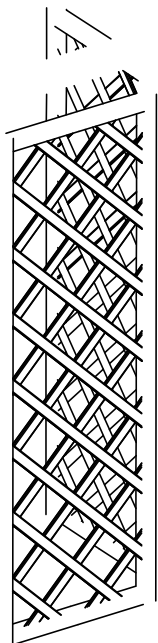
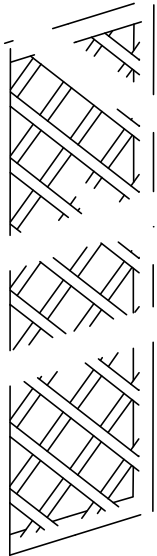
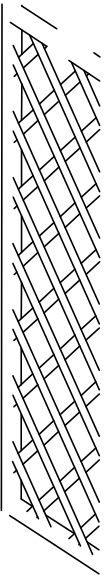
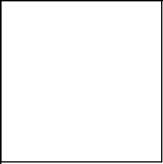


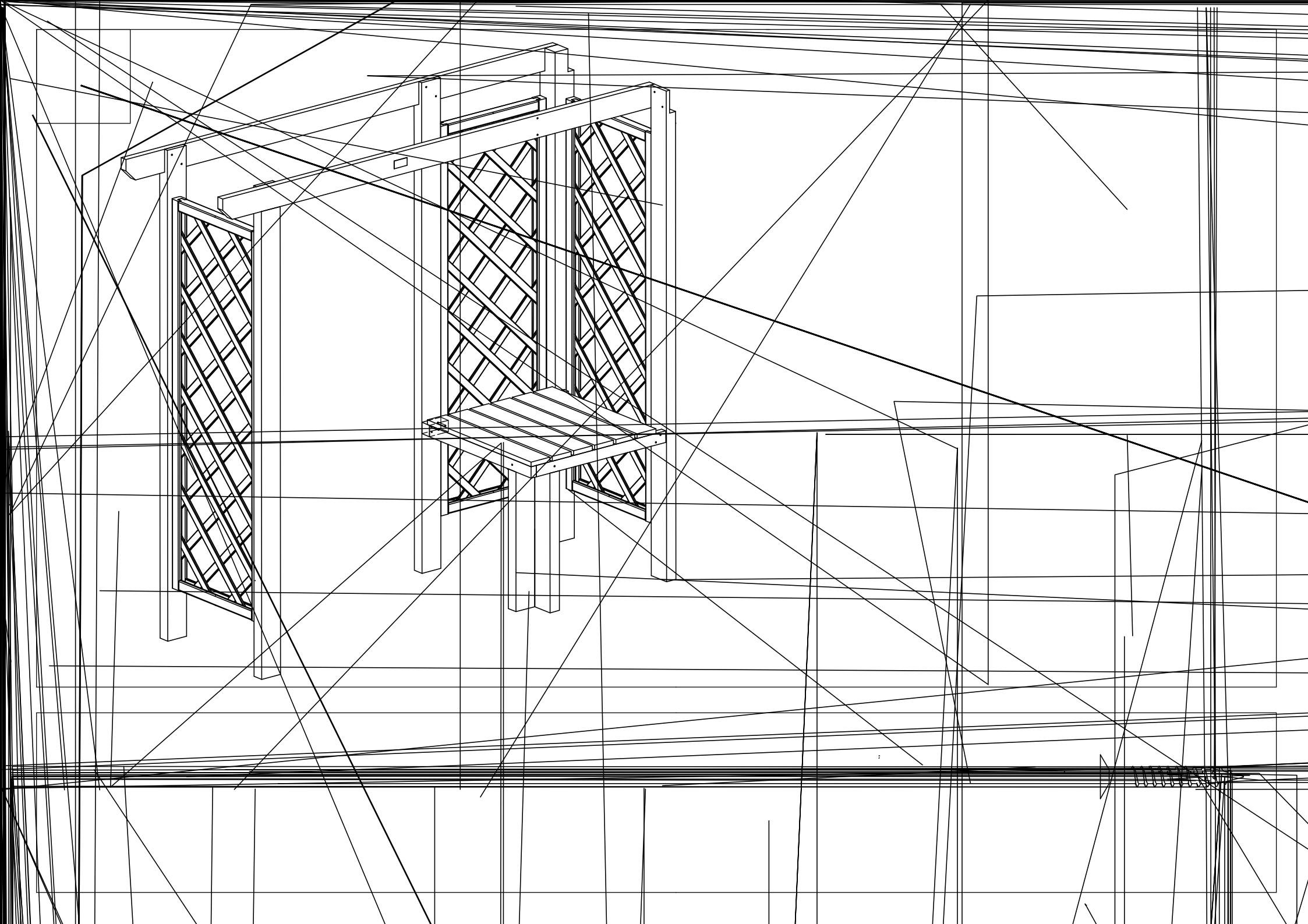
2 x2



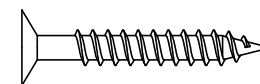
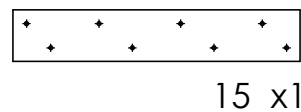
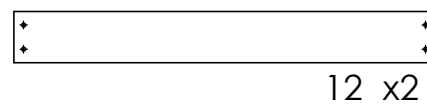
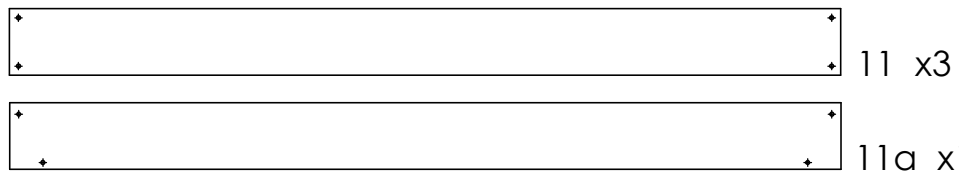
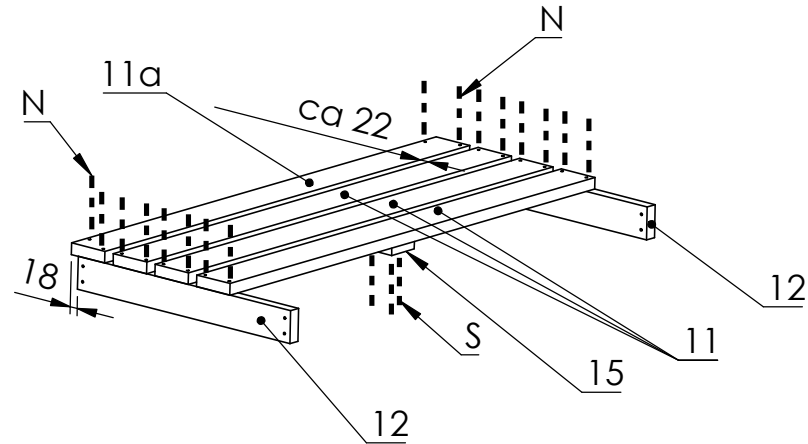
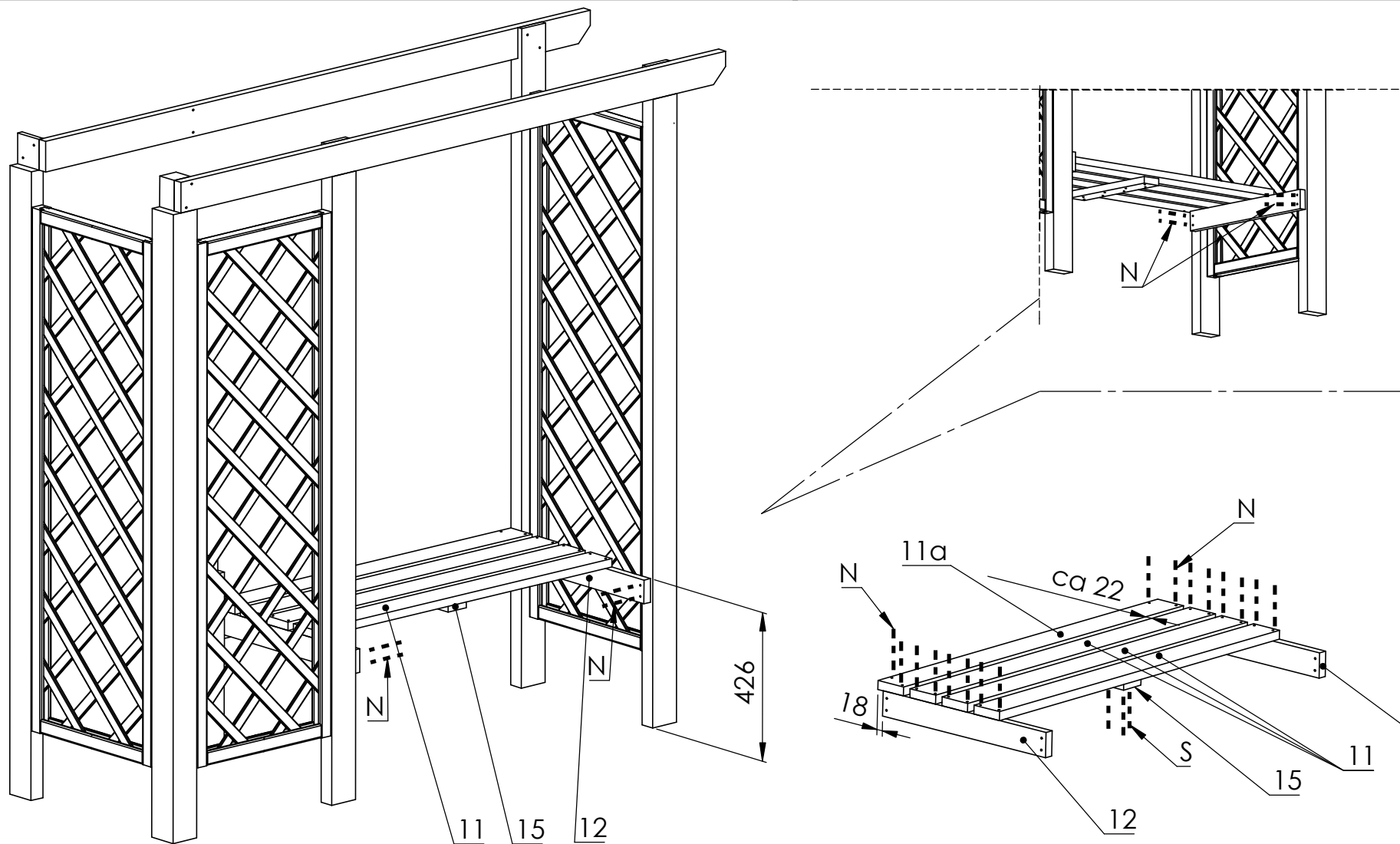
N 4x50 x12





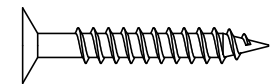
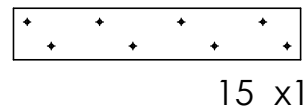
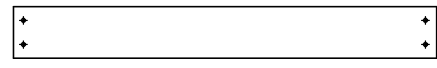
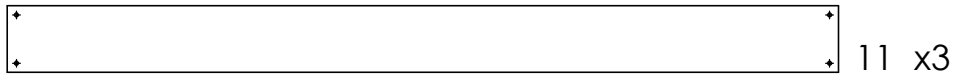
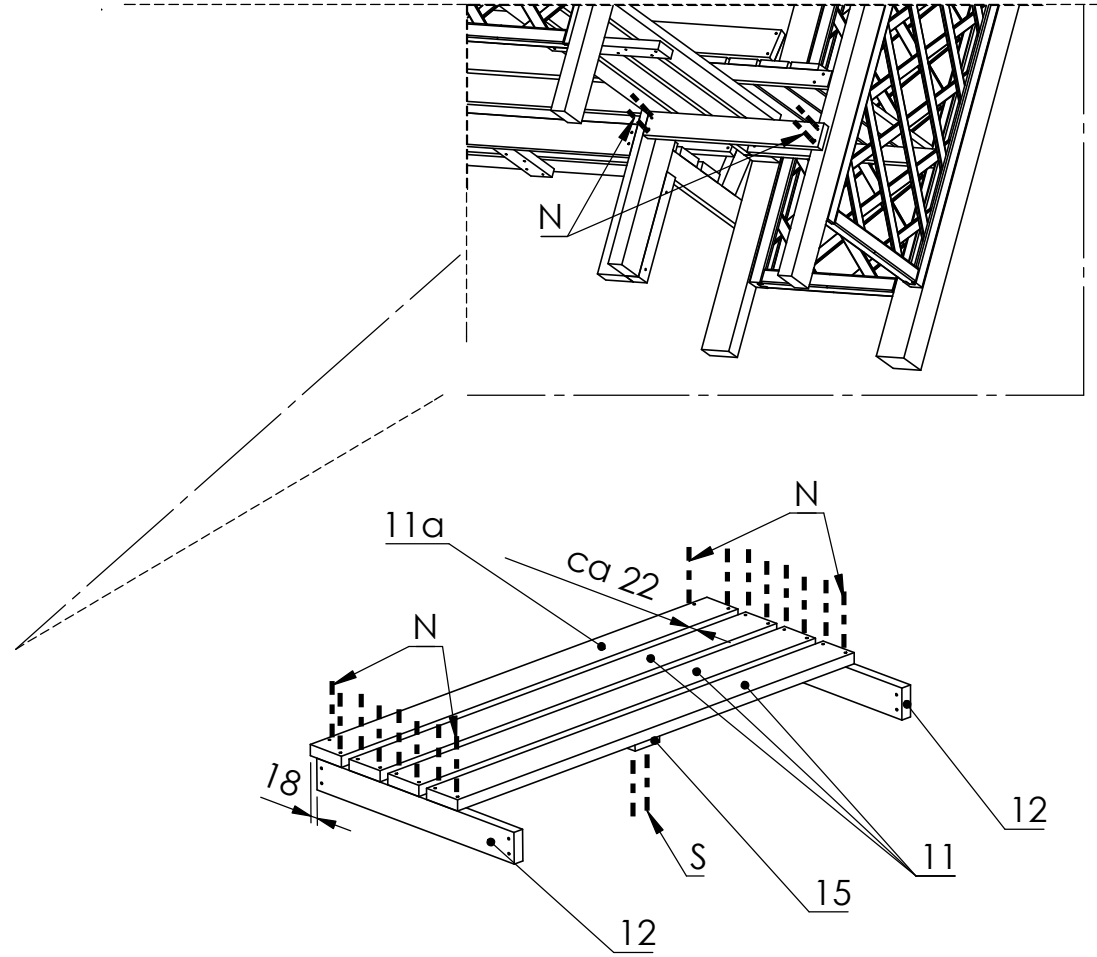
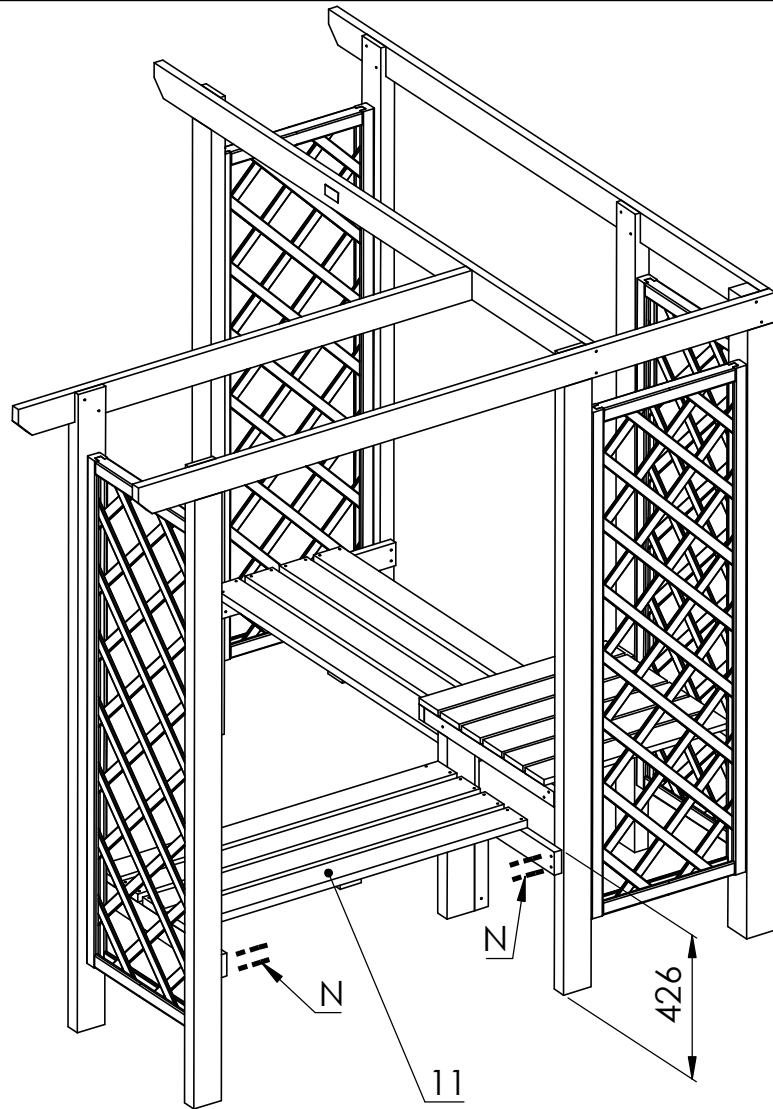


6



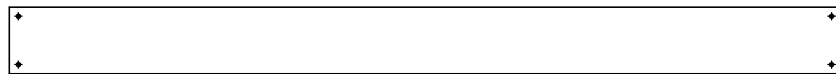
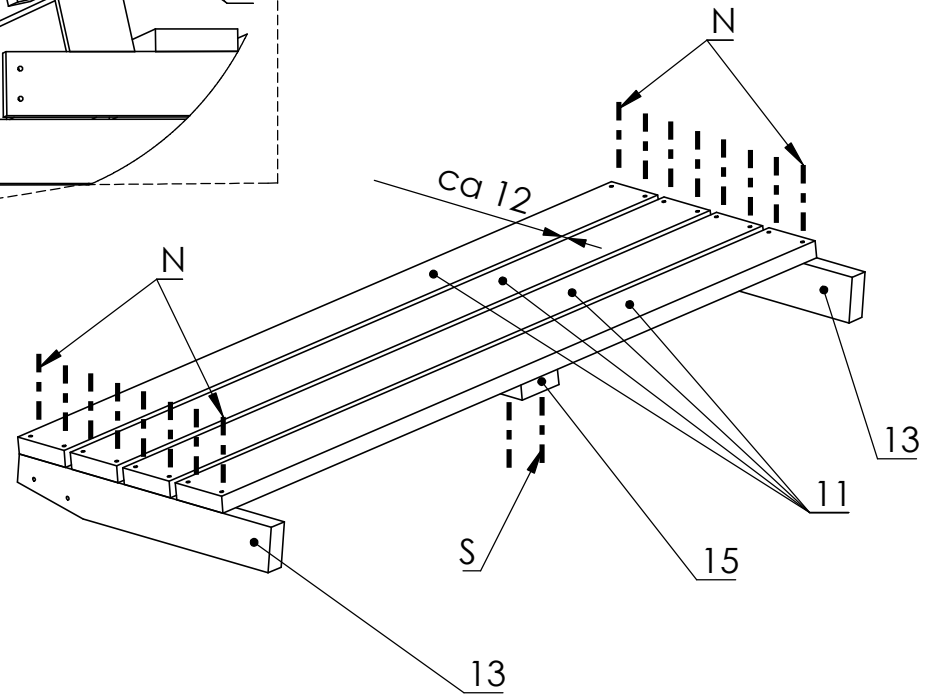
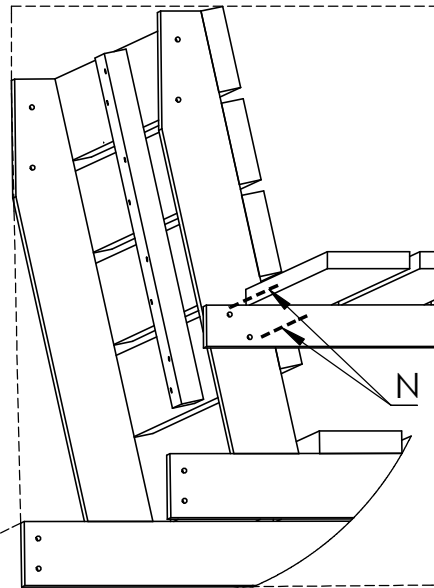
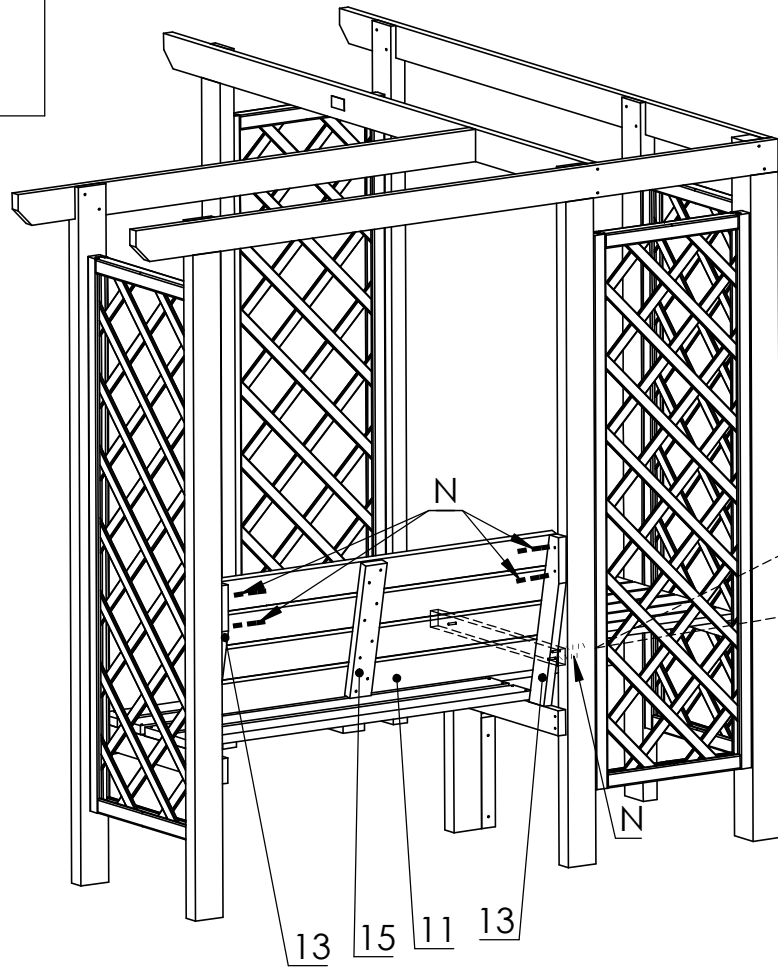
N 4x50 x24
S 4x40 x8

7



N 4x50 x24
S 4x40 x8

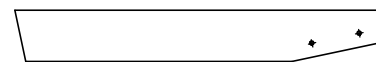
8



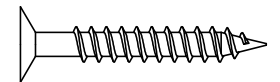
11 x4



15 x1

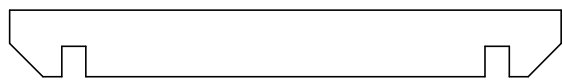
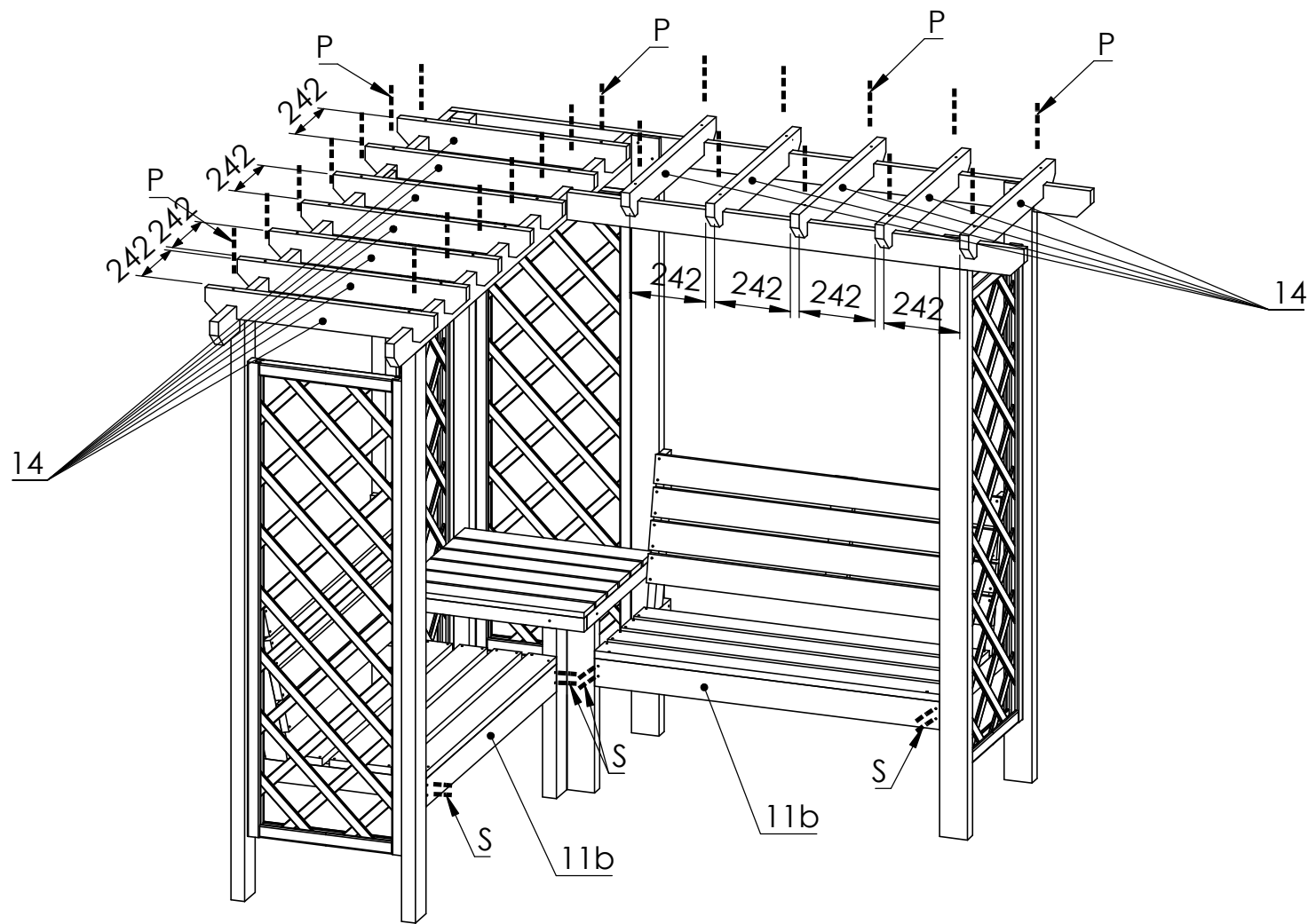


13 x2



N	4x50	x22
S	4x40	x8

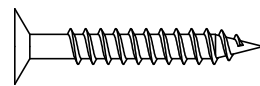
10



14 x12



11b x2



P 4x60 x24
S 4x40 x8

